

PRODUCT FEATURES



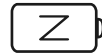
Cloud-managed



EPD screen



Pricing in Seconds



5-year Battery



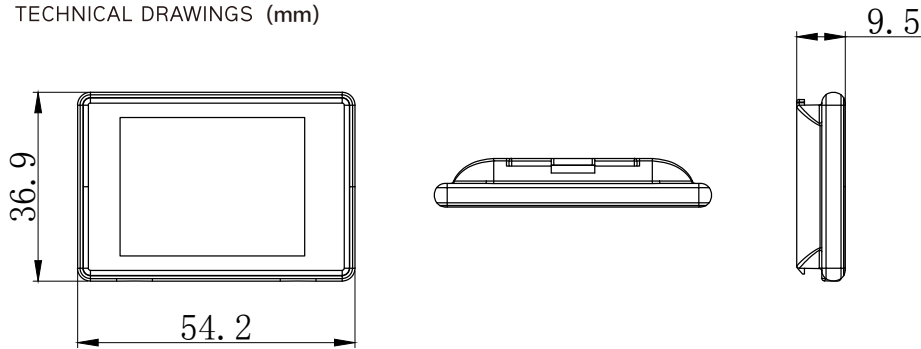
Strategic Pricing



Bluetooth LE 5.0

TECH SPECIFICATION

TECHNICAL DRAWINGS (mm)



Display Features

Display Technology	EPD
Active Display Area(mm)	36.06*27.05
Resolution (Pixels)	224*168
Pixel Density (DPI)	158
Pixel Colors	ZKC18B:Black White Red ZKY18B:Black White Yellow
Viewing Angle	Nearly 180°
Usable Pages	6

Wireless

Operating Frequency	2.4-2.485GHz
Standard	BLE 5.0
Encryption	128-bit AES
OTA	YES

Battery

Battery	CR2450
Battery Life	5 years (4 updates/day)
Battery Capacity	600mAh

Physical Features

LED	1xRGB
NFC	ZKC18B-N Yes ZKC18B No
Operating Temperature	0~40°C
Dimensions	54.2*36.9*9.5mm
Packaging Unit	200Labels/box

Compliance

Certification	CE,ROHS,FCC
----------------------	-------------